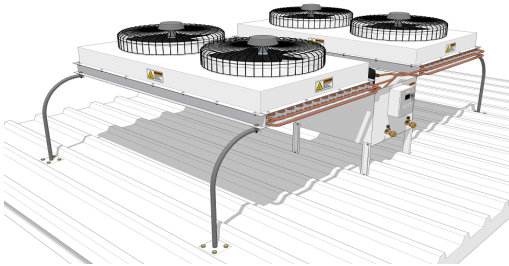


Windmason Central Split DX Air Conditioning System



Condensing Unit
25.0 TR

Copper Refrigerant
pipes



Indoor AHU-12.5TR



Indoor AHU-12.5TR

Note :

Due to continuous R&D the actual unit shape may change for the purpose of design improvement.

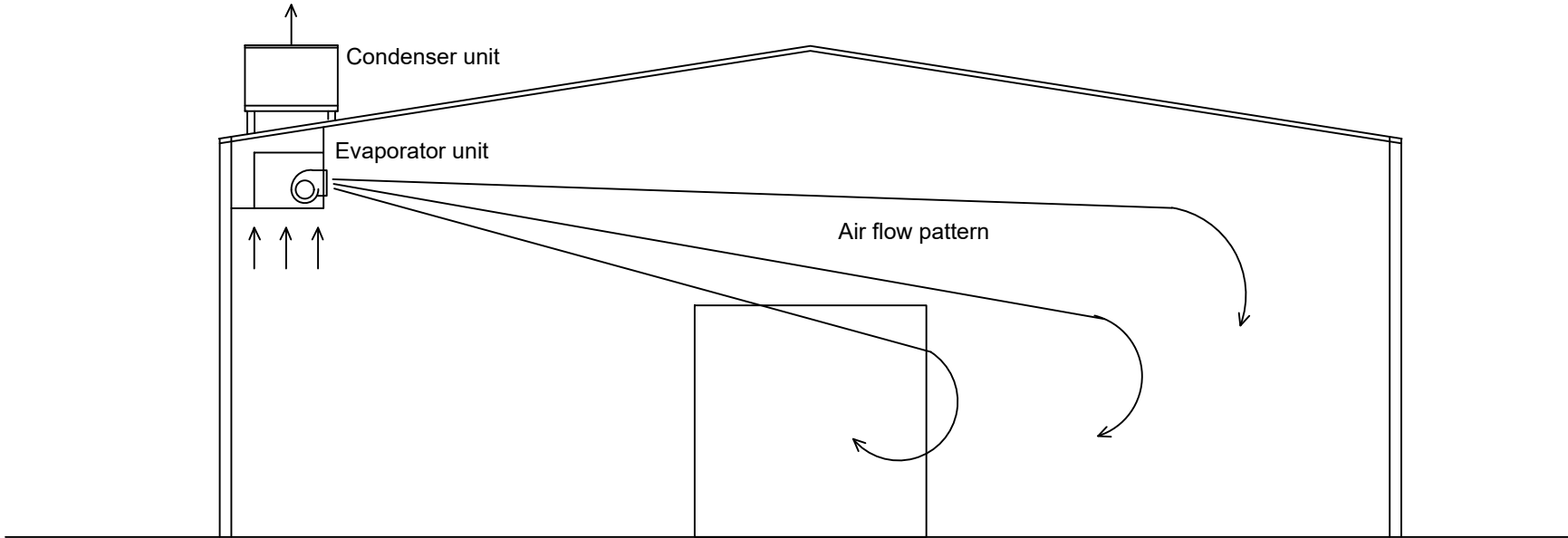
Central Split DX system

This system can be used to cool large areas like ware houses, factories, conference halls.

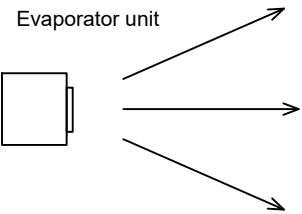
Benefits and features of the system

- 1- Air distribution duct and grilles not required.
- 2- Less energy consumption. Power saving.
- 3- Temperature flexibility for zone cooling.
- 4- Low installation cost.
- 5- Spare parts availability.
- 6- Easy low cost migration.
- 7- 10% Power saving

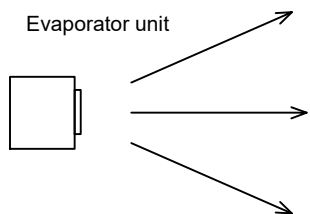
DX UNIT FOR HANGER COOLING
WITHOUT DUCT
OPTION-2
SIDE HANGING EVAPORATOR



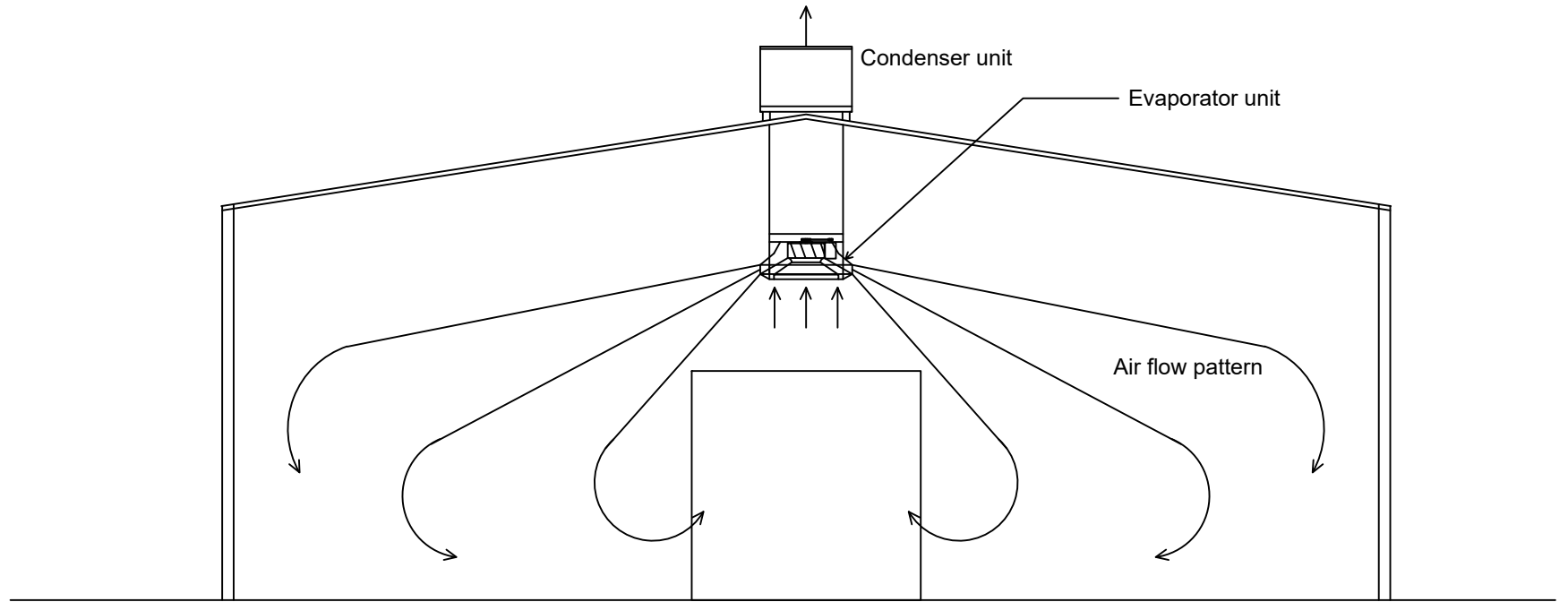
SECTIONAL DETAIL
OPTION-2



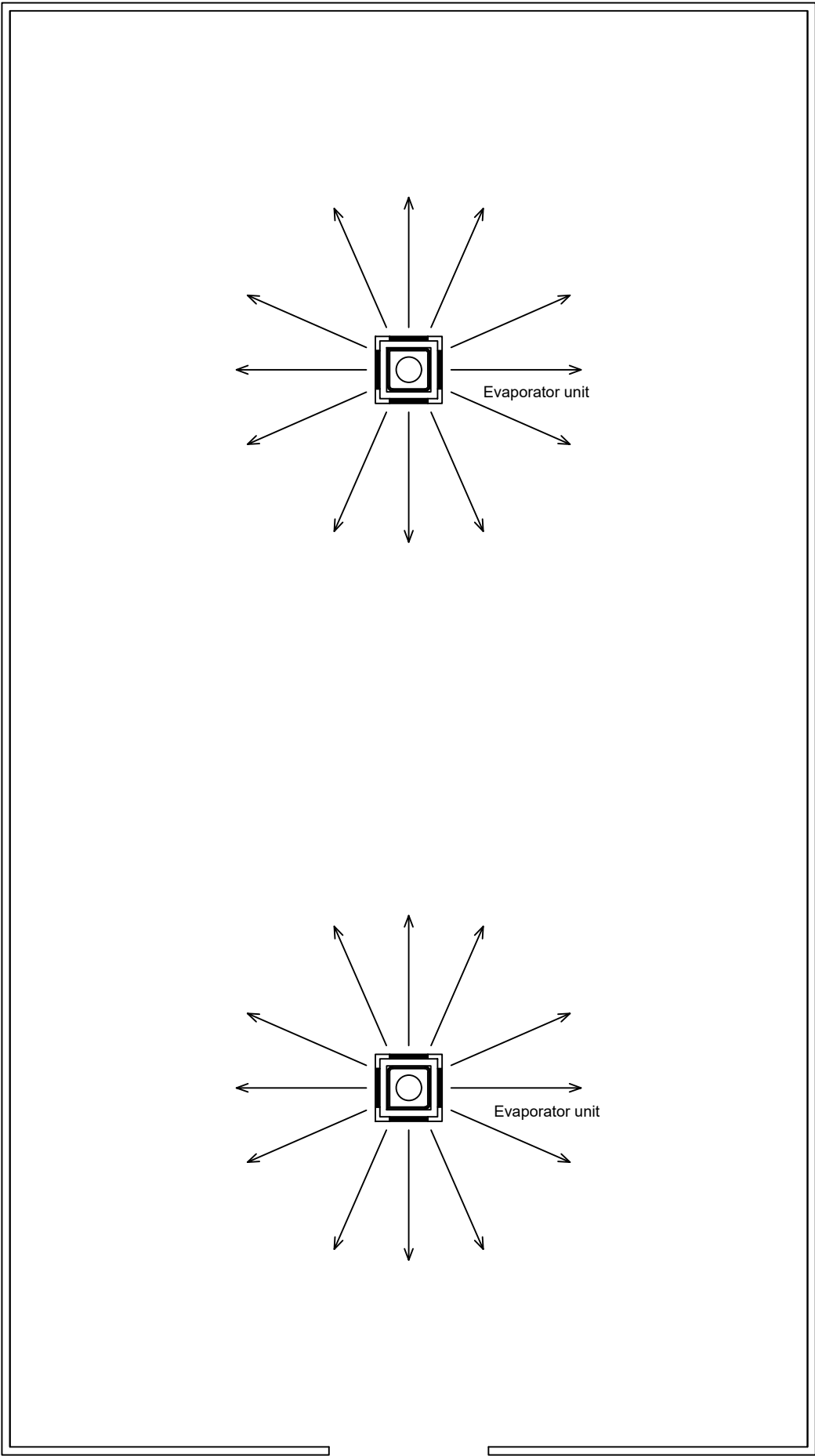
TOP LAYOUT
OPTION-2



DX UNIT FOR HANGER COOLING
WITHOUT DUCT
OPTION-1
CENTER HANGING EVAPORATOR



SECTIONAL DETAIL
OPTION-1



TOP LAYOUT
OPTION-1

Technical Data

Type of the Air Conditioning Unit		Air cooled, Direct expansion refrigeration circuit, split type condenser and evaporator units.
Nominal Cooling capacity	TR	12.5
Model No.		WM-CS-S-150-2-R1
Refrigerant		R410A - R134A - R407 Windmason option
<u>Electrical Data</u>		
Power supply		380v/3ph/60hz
Max. Circuit Current	Amps	
Max. Power input	kW	32
COP	btu/h/w	10.77
Sound rating	db	75
<u>Evaporator</u>		
Type		Duel units / Alu fins, Cu tubes
Air flow	CFM	5000 x 2
Fan type		Centrifugal Forward curve blower
Motor capacity	HP	2.5 kW x 2
<u>Condenser</u>		
Type		Air cooled, Alu fins, Cu tubes
Air flow	CFM	16000 / 8000
Fan type		Axial Fan - 2 / 4 nos.
Motor capacity	hp	1 x 4
<u>Compressor</u>		
Type		Copeland brand Scroll type
Capacity	HP	12 to 15
Quantity		2
<u>Dimensions</u>		
Outdoor	mm	1800 x 2100 x 1000
Indoor	mm	1300 x 1800 x 1200
<u>Weight</u>		
Net	kg	915
Operation	kg	1006

Weather Conditions - Ambient - 45 C / 20 C, Indoor set point Temp. 26 C

The dimensions may change due to the design improvement.